

ARINC 801

Circular connector qualified to ARINC 801 specification

Key Features



- Qualified to ARINC 801 Specification
- Precision alignment and components provide excellent optical performance
- Supports APC termini for RF-over-Fibre and other applications requiring low back reflection
- High-density arrangements up to 32-channels
- Supports standard suite of 38999 backshells and accessories
- Removable ASR facilitates termini cleaning

Designed for aerospace and military applications. Based on the commercial ARINC 801 specification, this series features a removable alignment, sleeve retainer (ASR) for ease of termini end face cleaning, guide pins for precision alignment, and a scoop proof shell design. It is available in standard D38999 plug and wall mount shells. Inserts are available to support 2 to 32 channels and can support both PC and APC.

We also offer the companion ARINC 801 terminus, which uses a standard 1.25mm ferrule and sleeve that can be terminated with standard LC termination procedures. The terminus can be inserted or removed from the connector with a standard size 16 contact removal tool. The terminus is available in both multimode and single mode versions. The fibre optic contact provides low insertion loss (0.3dB max, multimode) and back reflection (-55dB, APC). In addition to the standard PC end face option, the ARINC 801 termini are offered with an APC end face for applications requiring reduced back reflection.

ARINC 801

Circular connector qualified to ARINC 801 specification

Plug Assembly

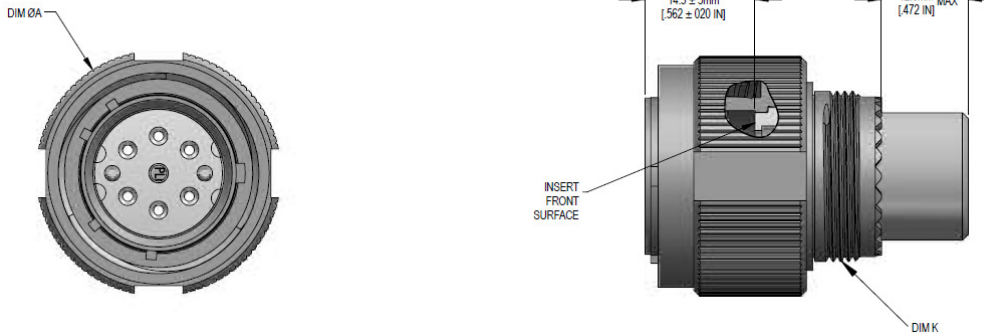


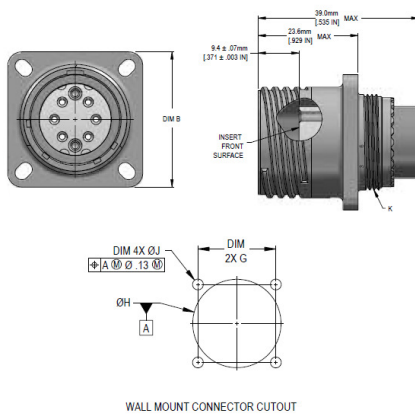
TABLE I

SHELL SIZE	DIM ØA MAX	DIM B SQ ±0.3	DIM C SQ ±0.4	DIM ØD MAX	DIME +.25/-00	DIM ØF +00/-25	DIM G MIN	DIM ØH MIN	DIM J ±.13	DIM K THREAD
11	24.9mm (0.98")	26.2mm (1.031")	31.8mm (1.250")	35.2mm (1.386")	19.59mm (.771)	20.96mm (0.825")	20.62mm (0.812")	20.22mm (0.796")	3.25mm (.128")	M15 X 1-6g
13	29.2mm (1.150")	28.6mm (1.125")	34.9mm (1.375")	38.4mm (1.512")	24.26mm (0.955")	25.65mm (1.010")	23.01mm (0.906")	23.42mm (0.922")		M18 X 1-6g
15	32.3mm (1.272")	31.0mm (1.220")	38.1mm (1.500")	41.6mm (1.638")	27.56mm (1.085)	28.83mm (1.135)	24.61mm (0.969")	26.59mm (1.047")		M22 X 1-6g
17	35.8mm (1.410")	33.3mm (1.311")	41.3mm (1.625")	44.8mm (1.764")	30.73mm (1.210")	32.01mm (1.260")	26.97mm (1.062")	30.96mm (1.219")		M25 X 1-6g
19	38.6mm (1.520")	36.5mm (1.437")	46.0mm (1.811")	49.5mm (1.950")	33.91mm (1.335")	35.18mm (1.385")	29.36mm (1.156")	32.94mm (1.297")		M28 X 1-6g
21	41.9mm (1.650")	39.7mm (1.563")	49.2mm (1.937")	52.7mm (2.075")	37.08mm (1.460")	38.35mm (1.510")	31.75mm (1.250")	36.12mm (1.422")		M31 X 1-6g
23	44.7mm (1.760")	42.9mm (1.689")	52.4mm (2.063")	55.9mm (2.200")	40.26mm (1.585")	41.53mm (1.635")	34.93mm (1.375")	39.29mm (1.547")		M34 X 1-6g
25	48.0mm (1.890")	46.0mm (1.811")	55.6mm (2.189")	59.0mm (2.323")	43.43mm (1.710")	44.70mm (1.760")	38.10mm (1.500")	42.47mm (1.672")		M37 X 1-6g

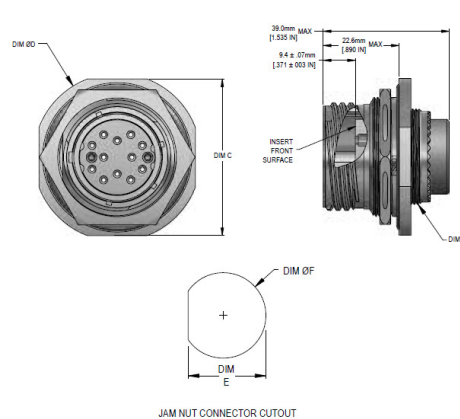
TABLE II

SHELL SIZE	KEYING POSITION DESIGNATOR	A°	B°	C°	D°
11, 13 & 15	N	95°	141°	208°	236°
	A	113°	156°	182°	292°
	B	90°	145°	195°	252°
	C	53°	156°	220°	255°
	D	119°	146°	176°	298°
17 & 19	E	51°	141°	184°	242°
	N	80°	142°	196°	293°
	A	135°	170°	200°	310°
	B	49°	169°	200°	244°
	C	66°	140°	200°	257°
21, 23 & 25	D	62°	145°	180°	280°
	E	79°	153°	197°	272°
	N	80°	142°	196°	293°
	A	135°	170°	200°	310°
	B	49°	169°	200°	244°

Wall Mount Assembly



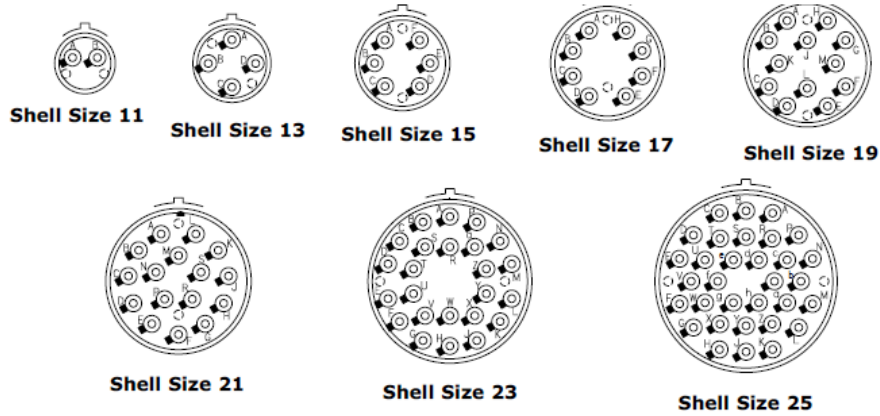
Jam Nut Receptacle Assembly



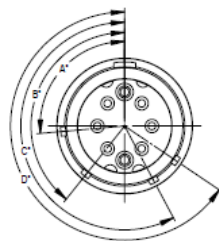
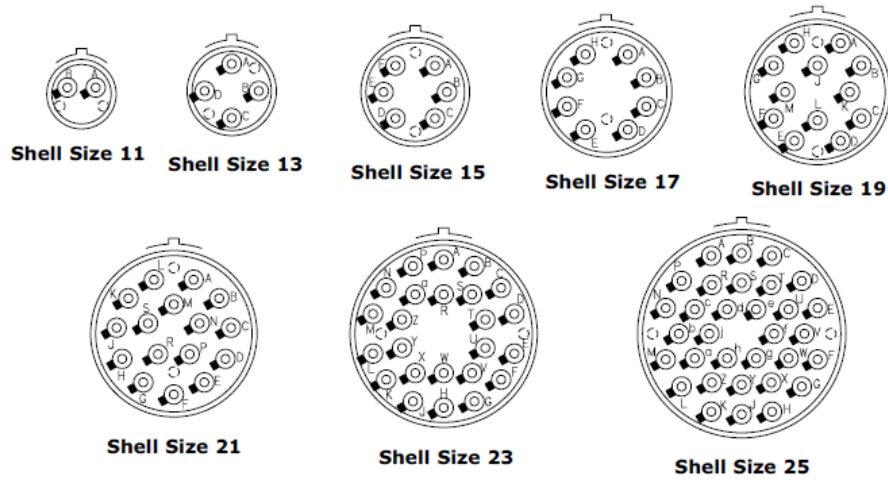
ARINC 801

Circular connector qualified to ARINC 801 specification

Plug Grommet Face



Receptacle Grommet Face



Keying Arrangements



ARINC 801 Fiber Optic Termini